

Installation Instruction User Guides



E-LOCK
Wireless E-Lock

I. Description

1.1 Overview

In modern life, safety and convenience are the core requirements of smart homes. Our newly launched wireless electronic lock, designed for smart garage doors and industrial doors, perfectly meets this demand. The wireless electronic lock enables remote control and status monitoring through wireless technology. When the door is completely closed, the electronic lock automatically locks, ensuring the safety of the living environment.

1.2 Features and Advantages

Wireless Control: With advanced wireless technology, users can monitor the status of the electronic lock through their smartphone, offering great convenience.

Automatic Locking: The electronic lock is designed with an automatic locking feature; when the door is completely closed, the electronic lock will automatically lock, ensuring the safety.

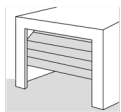
Easy Installation: Without the need for complex wiring, the electronic lock can be quickly installed on the door, suitable for a variety of residential and commercial environments.

High Security: with anti-prying and anti-violent removal security features, ensure effective protection of the door under any circumstances. **Low Power Consumption Design:** The lock features a low power consumption design to extend battery life, and also includes a low battery indicator to prompt users to replace the batteries in a timely manner.

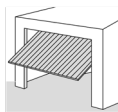
Low Power Consumption Design: It adopts low power consumption design to extend the battery life, and also has a low battery prompt function to remind users to replace the battery in time.

Power Failure Safety: In order to ensure emergency access, the electronic lock will automatically unlock when the power failure.

1.3 Scenarios of Use



Sectional doors



Tilting Doors

II. Features and Technical Data

2.1 Features

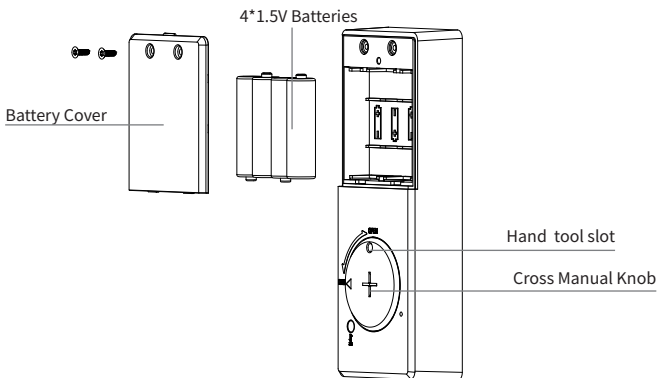
- The wireless E-lock works automatically with garage door opener and Industrial door openers. it always locks and unlocks with every operation of the door.
- An extra security guarantee for garage and industrial doors With 4 x 1.5V batteries for 2 years normal operation life.

2.2 Technical Data

Model	E-LOCK
Radio technology	Trio-Frequency technology
Frequency	Multi from 409.025 MHz – 458.4 MHz
Signal modulation	FSK
Signal range	20 meters
Power supply	6V DC (4 x 1.5V AAA battery)
Battery capacity	1500mAh
Standby consumption	72ua
Operation consumption	200mA
Uncaging time	0.3s
IP grade	IP 43
Operating temperature	-20°C - + 60°C

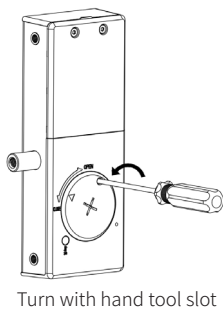
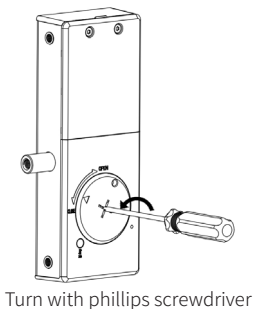
III. Product Composition Display

3.1 Introduction to Components



3.2 Manual Knob Test

Use a phillips screwdriver to turn, or put the screwdriver in the Hand tool slot and turn it.
Check whether the rotation and lock bolt are working properly and smoothly.



IV. Installation and Configuration

4.1 Tools

For a quick and safe installation of the wireless E-lock, the following tools are recommended:



Pistol drill



Tape measure



Screwdriver



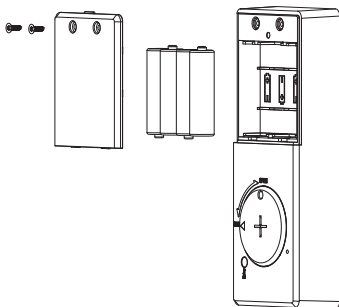
Pencil

4.2 Installation Steps and Operating Instructions

4.2.1 Before installation, please perform the tests first to avoid any inconvenience

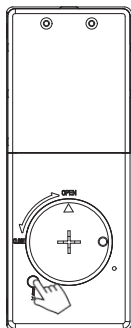
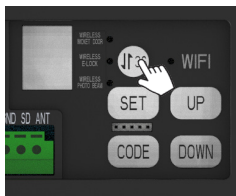
- Pairing with the motor
- Function test to ensure the E-lock works properly with motor.

-- Step Instructions:



Step A

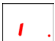
Open the housing component, use a screwdriver to open the E-lock housing, and install batteries.



Step B

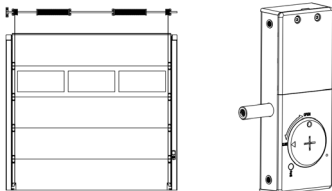
Wireless E-lock pairing steps.



1. Press and hold the wireless accessories coding button **ON MOTOR** for 3 seconds and then release.
2. Check if the LED light is on and the panel display , it means now the motor is in pairing mode.

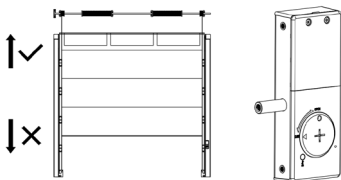


3. Press and hold the **E-LOCK** coding button for 3 seconds.
4. After the LED light on the motor flashes, check if the corresponding indicator light is on. (the indicator light color changes according to the device status).



Step C

Once the E-lock is successfully coded with the motor, when the motor is in the close limit position, the lock bolt of the E-lock will automatically open, and then when the motor starts running from the close limit position, the E-lock bolt will first automatically retract, and then the door will start opening.



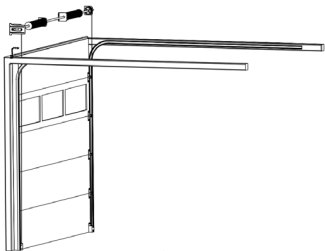
Step D

During the motor running, if the E-lock is opened manually, the motor will automatically stop. In this situation, if you open the door, the E-lock bolt will first automatically retract, and then the motor will start opening. If you need to close the door, first reset the E-lock bolt with knob.

4.2.2 Installation

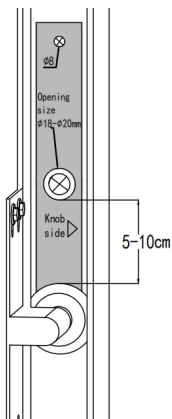
Step A

Make sure the garage door is in the close position.



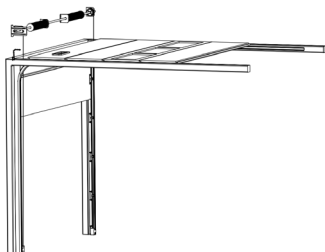
Step B

Use the position label to confirm the installation location of the E-lock. It is recommended that the lock bolt of the electronic lock is located 5-10 cm above the roller in the track.



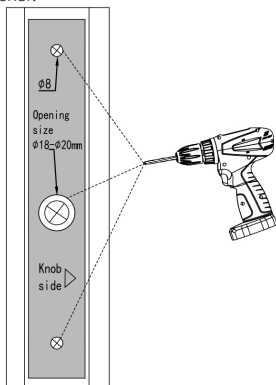
Step C

Open the garage door to the open position.



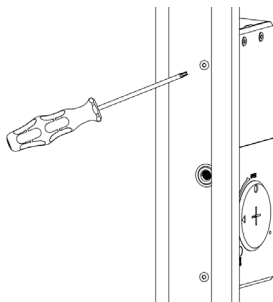
Step D

Drill holes according to the diameter size indicated on the hole positioning sticker.



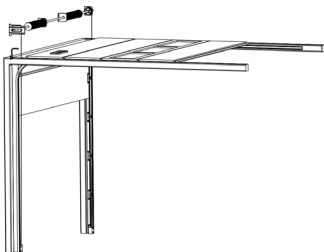
Step E

Use screws to secure the E-Lock device in place.



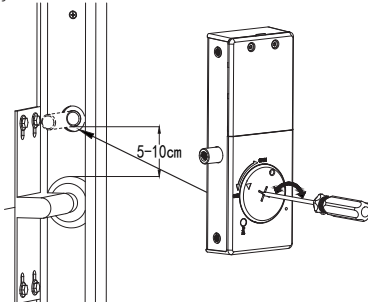
Step F

Installation is complete.

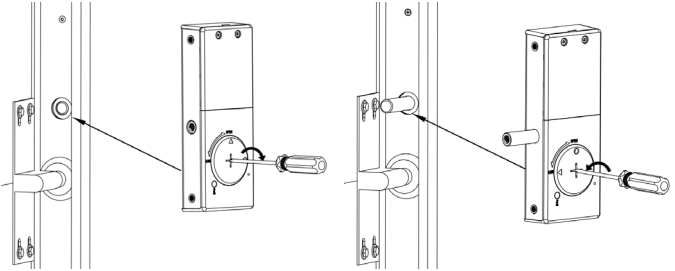


4.2.3 Test Mechanical Operation

Turn the knob to check whether the lock bolt can be extended and retracted properly.



Use the knob to "Close" or "Open" the lock bolt and check for any resistance or obstruction.

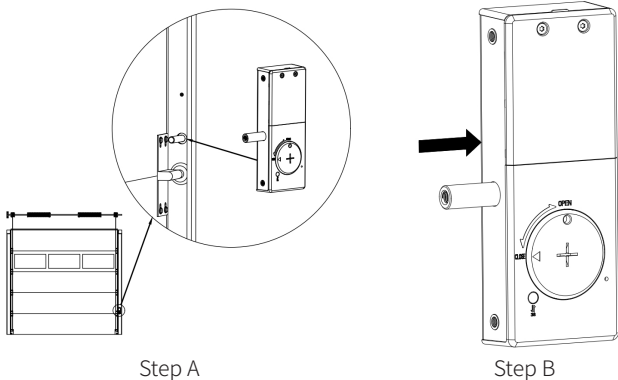


Note: Rotate the knob to verify whether the extension and retraction of the lock bolt are obstructed.

If obstructed, kindly inspect the positioning of the lock bolt hole within the track for appropriateness and proceed with necessary adjustments.

4.3 Actual closing test

When the door is closed to the close limit, the lock bolt will automatically extend and lock in the track. But if you want to start opening the door, the lock bolt will automatically retract firstly, and then the door will perform this open action.



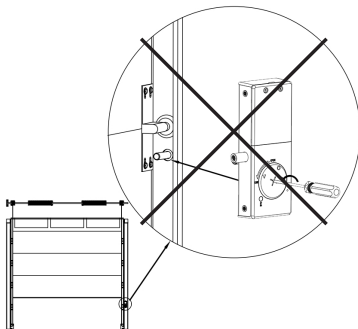
A: When the door is closed to the close limit position, the lock bolt will automatically extend and lock in the track. But if you want to start opening the door, the lock bolt will automatically retract firstly, and then the door will perform this open action.

B: Get the door closed and you will see the bolt is extend and lock in the track. Then power off the motor suddenly to check if the E-lock bolt will retract automatically at the same time.



WARNING:

Please make sure no operation of electronic lock knob manually during the door opening or closing. It may cause irreversible damage to doors & motors. This situation is not covered by the warranty.



V. Service Devices




Wireless E-lock



Multi-Drive Pro version



Control Box Pro version



Garage Door Opener Pro version

New coming products

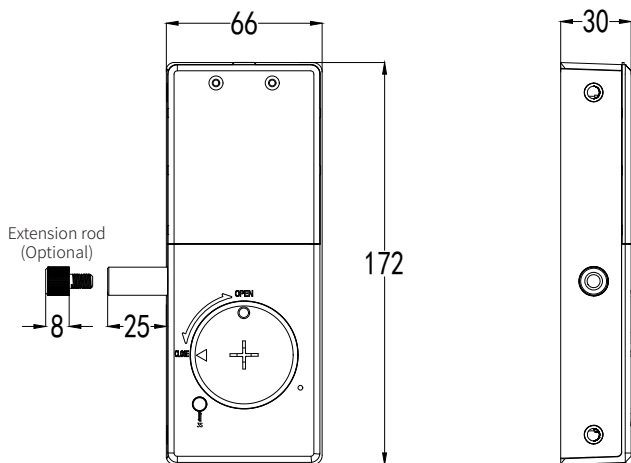
VI. Appendix

6.1 Packing List

Description	Qty
Positioning Sticker	1
Wireless E-lock	1
M6*8mm screw	2
AAA battery (1.5V)	4
Manual	1
Extension rod	Optional

6.2 Dimensions

Unit of Length: mm




Note

1. Low battery ALARM

If the E-lock emits a buzzer sound when you open or close the door, it's an indication that the battery power is running low. This is a common feature in many electronic devices to alert users to replace the batteries.

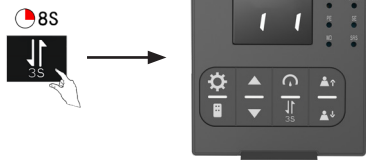
The E-lock will not automatically extend its bolt if the battery voltage drops below 4.8V after the door reached to the close limit position. This is likely a safety feature to ensure the lock remains functional until the last moment when the battery is depleted.

2. How to cancel codes?

If you need to cancel the wireless device, press and hold the button  of the paired device for more than 8 seconds until the paired device's wireless light turns off.

Then, all wireless security devices paired with this motor will be deleted and need to be coded again.

And you need to code them one by one if necessary. (please refer to the corresponding manual for details).



3. How to replace the battery?

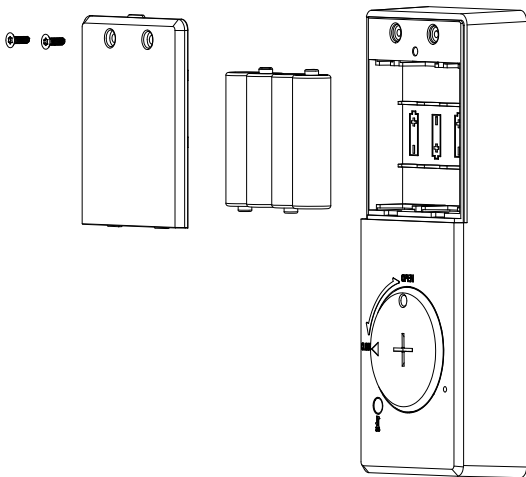
Please use the corresponding tools to open the upper cover of the wireless E-LOCK and replace the 4 x 1.5V lithium batteries.

Note: the voltage is DC1.5V, capacity: 1500ma.



WARNING:

All wireless security devices paired with this motor will be deleted and will need to be paired again. You will need to pair them one by one step by step (for details, please refer to the corresponding manual).



Detailed Instructions for Coding with Related Devices

