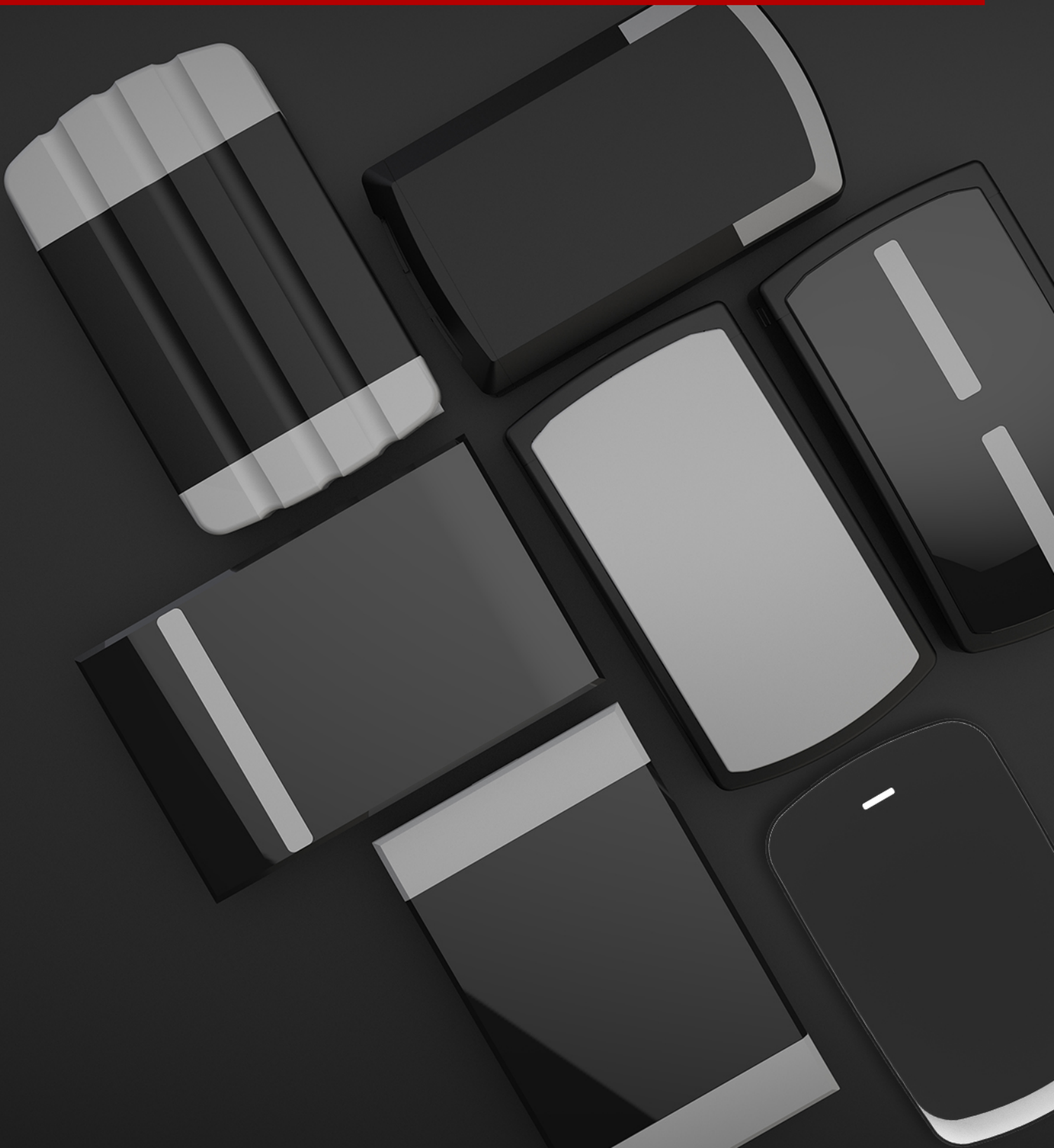




GDO-STD

# Low Standby Version



**MOTOR  
STANDBY POWER  
≤0.4W**



### *Low standby circuit board*

- The circuit board adopts low standby power technology, support voltage fluctuations of **180V-280V**
- Beneficial for self-protection of motors and ensure the motor can operate normally



### *Energy saving and emission reduction*

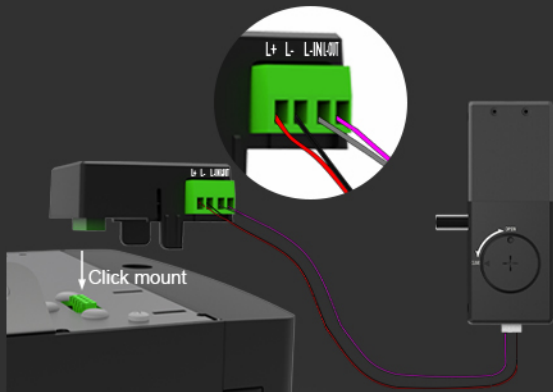
- In accordance with the latest **REGULATION (EU) 2023/826**, FORCE DOOR remains committed to complying with relevant EU regulations
- Energy saving, emission reduction, more environmentally friendly



- When the low power consumption function is turned on, some accessories will automatically exit to ensure the normal operation of other smart accessories.
- Please turn off low power mode before connecting external devices to the 24V / GND port.

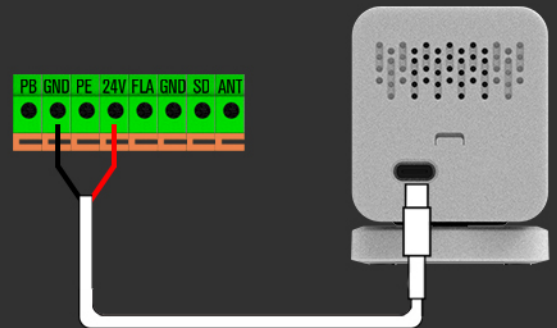
### Wired E-Lock (Optional)

Click mount the relay module to the connection port of the GDO.



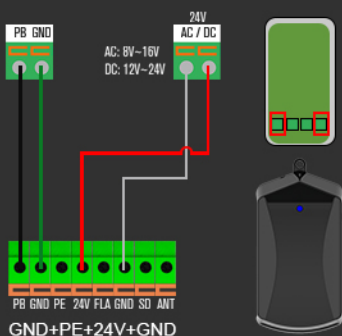
### Camera (Optional)

Power connection from camera to opener.



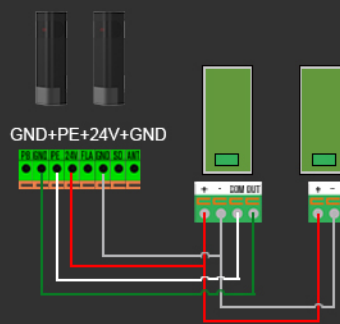
### Universal receiver (Optional)

Wire in red color should be always go to 24V port on garage door opener.



### Wired photo beam (Optional)

Please ensure installation distance between 2 sensors is over 1 meter, otherwise garage door opener can not work properly.



### Flash lamp (Optional)

Terminals provide 24-35V flash light voltage.

